



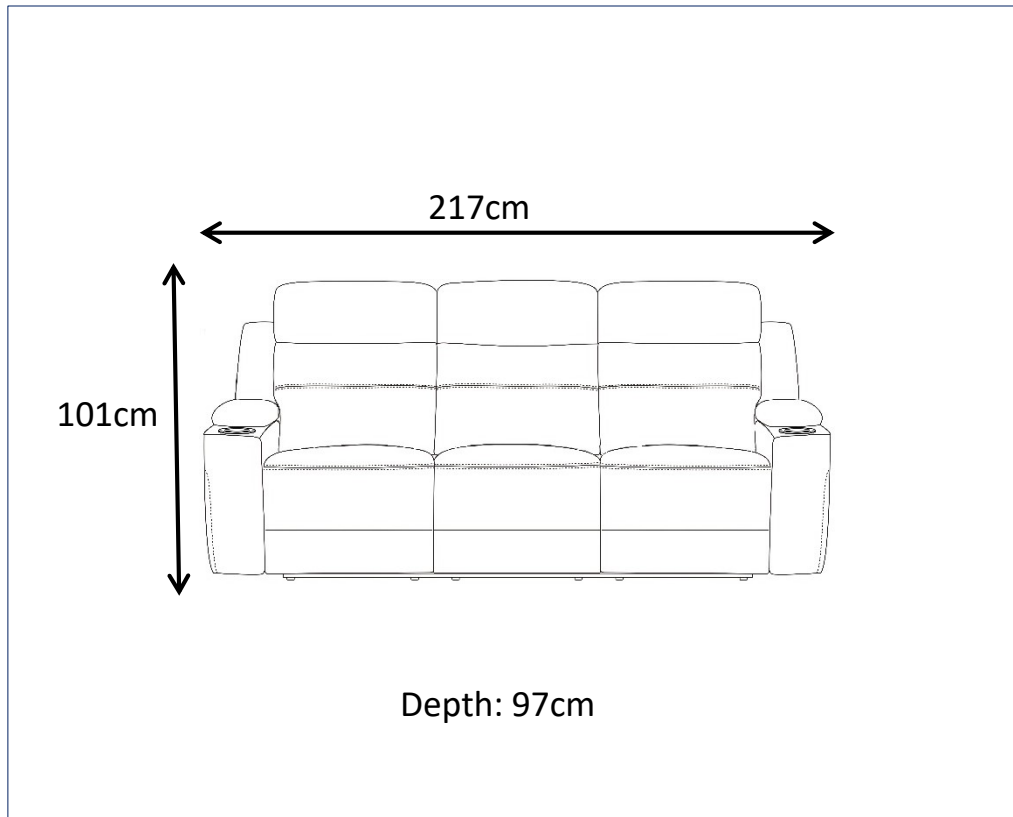
ASSEMBLY INSTRUCTION

KLAUS 3 SEATER

ITEM CODE 73591

Imported by Amart Furniture Pty Ltd, Qld, Brisbane Australia.

For any assistance with assembly or for missing parts please phone Amart Furniture, Customer Service Free call 1800 351 084





Imported by Amart Furniture Pty Ltd, Qld, Brisbane Australia.

For any assistance with assembly or for missing parts please phone Amart Furniture, Customer Service Free call 1800 351 084

PRE-ASSEMBLY PREPARATION

Before you start:

1. Choose a clean, level, spacious assembly area. Avoid hard surfaces that may damage the product
2. Take care when lifting. Product should be assembled as near as possible to the point of use
3. Ensure that you have all required contents for complete assembly
4. Always read the assembly instructions carefully before beginning assembly.
5. Keep all hardware parts and packaging out of reach of small children.
6. Do not over tighten the screws and bolts as this may damage the threads

	
ALLOW 15 MINUTES	PEOPLE REQUIRED
ADDITIONAL TOOLS REQUIRED	

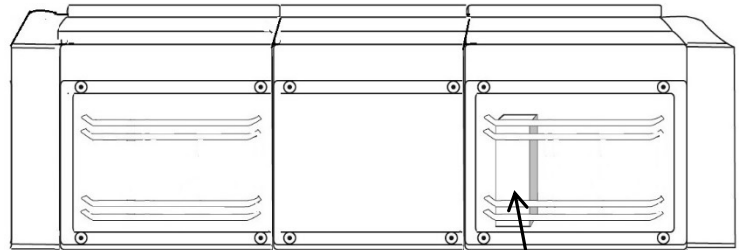
WARNING

Do Not allow children to play on this mechanised furniture or operate the mechanism. Leg rest folds down on closing so that a child could possibly be injured. Always leave in an upright and closed position. Keep hands and feet clear of mechanism. Only the occupant should operate it.

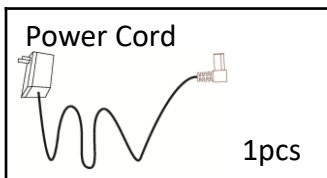
Step1: Locate package of power cord which is fixed on the mechanism at the bottom of **the** recliner.



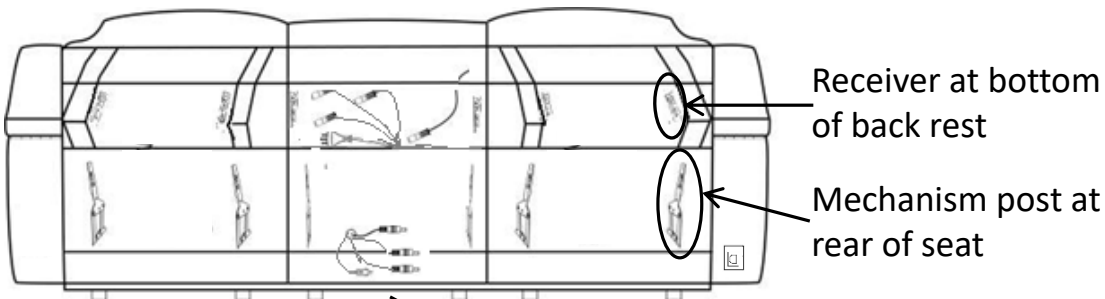
With 2 people,
carefully turn
lounge onto back of a
piece of cardboard
or carpet to protect
covering



Power cord package

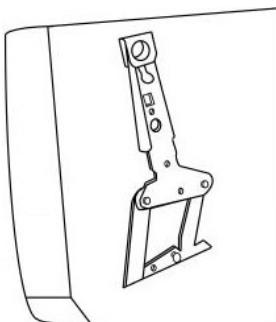


Step2: Keep back rest in **an** upright position then slide receivers into steel mechanism posts at the seat of furniture, ~~and~~ Press both sides of the back firmly into place to ensure **it is** fully locked.

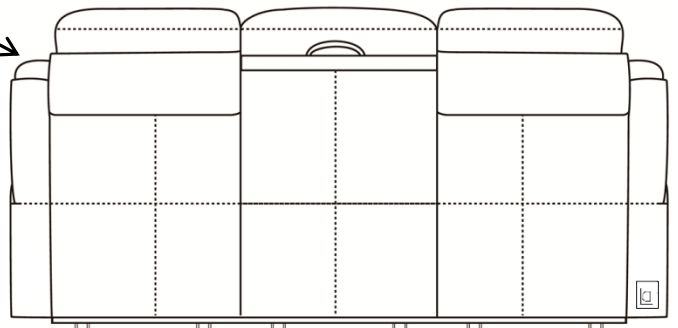


Receiver at bottom
of back rest

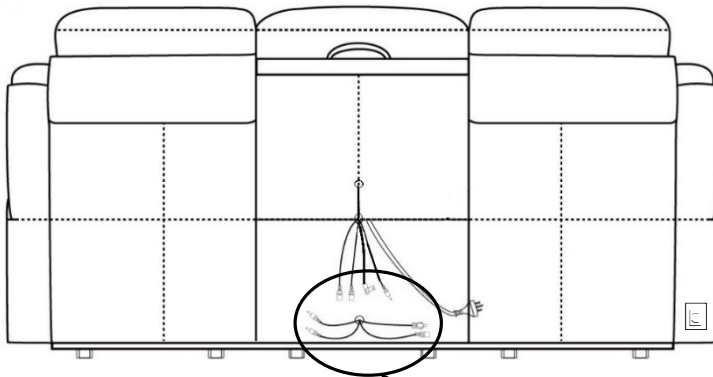
Mechanism post at
rear of seat



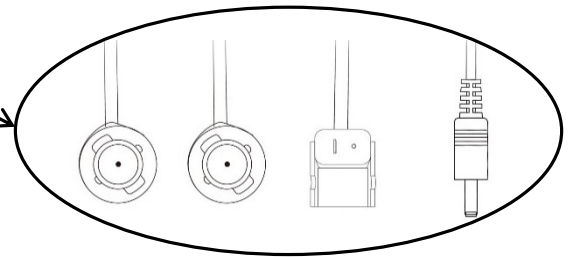
slide receiver
into post



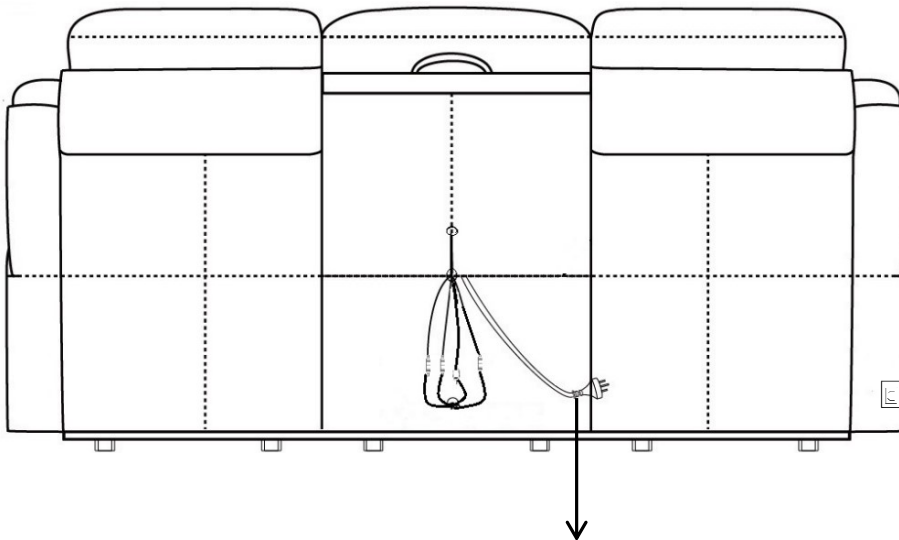
Step3: Connect the cords on middle seat of 3-seater to connect power for two speakers, wireless charger and reading light. Four cords come from the rear of back rest and another four cords from the seat.



Each connection has a different interface to make it easy to identify. the four cord connections being clearer

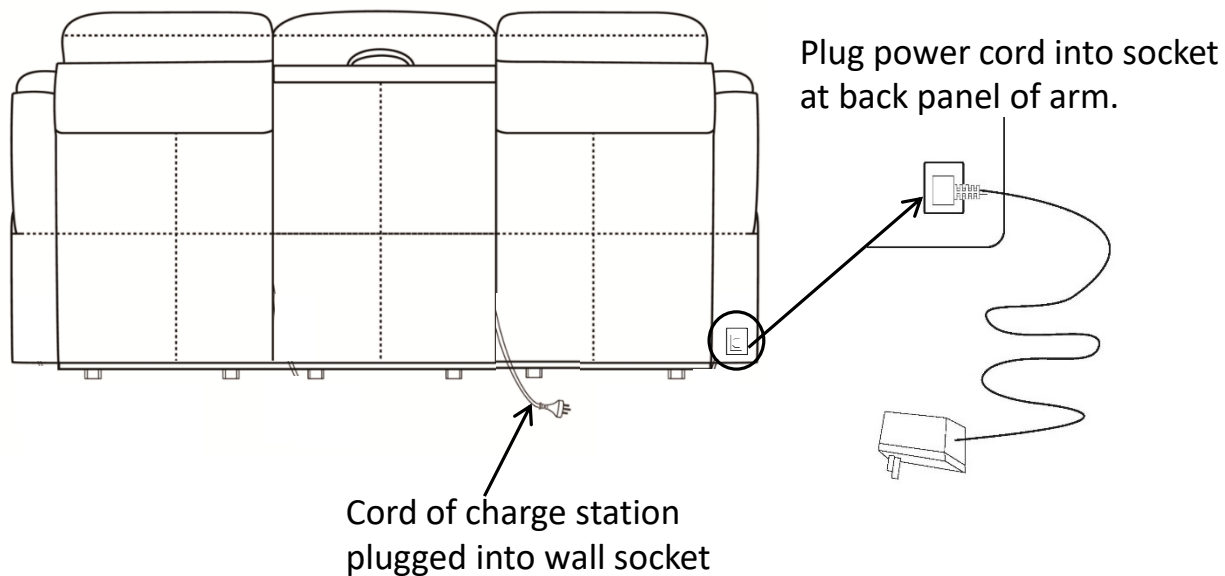


Step4: Unravel the cord with the plug on the end of it and connect to a wall socket. This cord is also connects from the rear of back rest and can be plugged into a wall socket. This is the to connect provides powers to the wireless charging station on the drop-down console.



Plug the cord into a wall socket to operate the wireless charging function. to Cord of charge station plugged into wall socket

Step5: Now that the wireless charging cord has been plugged in, it's time to plug in the power cord. Plug the power card into the back panel of arm. ~~Plug power cord into socket at back panel of arm.~~



SAFETY NOTE:

PLEASE ENSURE THAT ALL ELECTRICAL CORDS AND CABLES ARE CLEAR OF THE FRAME AND MECHANISM. A FAILURE TO DO SO MAY SEVER YOUR POWER CORD RESULTING IN SERIOUS INJURY OR DEATH.

READ THESE INSTRUCTIONS THOROUGHLY BEFORE USE:

DANGER: TO REDUCE THE RISK OF ELECTRIC SHOCK:

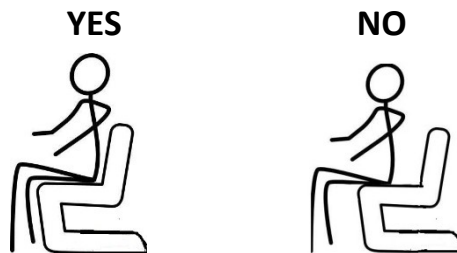
Always unplug from electric outlet before cleaning.

WARNING: RISK OF INJURY

Keep children away from extended footrest and any moving parts.

CAUTION:

- Do not allow children to play on this electric recliner or operate the powered mechanism. The leg rest folds when closing and could possibly cause injury to a child. Always leave the recliner in an upright and closed position when not in use. Keep hands and feet clear of mechanism. Only the occupant should operate it.
- Do ensure fully enter the normal sitting position before using of the recliner. Improper sitting, such as sitting in the front of recliner may result in damage to both mechanism and motor drive bar.



POWER CORD SAFETY

WARNING: Unplug and remove power cord from wall when not in use and store out of reach of children.

Take care when moving recliner that wall and transformer cords are not under the base or they may get damaged.

- NEVER OPERATE ELECTRIC RECLINER IF IT HAS A DAMAGED CORD OR PLUG.

WARNING: TO REDUCE RISK OF BURNS, FIRE, ELECTRIC SHOCK OR PERSONAL INJURY TO PERSONS:

- Use only for its intended purpose
- Never press or activate control switch if you are not seated in recliner
- Only the occupant should activate the control switch
- Never operate with more than one person occupying seat
- Never sit or stand on the footrest

CARE AND MAINTENANCE

FABRIC CARE

REGULAR CARE: PROTECT FROM DIRECT SUNLIGHT.
VACUUM REGULARLY USING LOW SUCTION.
ROTATE REVERSIBLE CUSHIONS REGULARLY.

CLEANING:

DO NOT REMOVE CUSHION COVERS FOR SEPARATE
CLEANING EVEN THOUGH THEY HAVE ZIPPERS.

DO NOT WASH

DO NOT DRY CLEAN

DO NOT SHAMPOO CLEAN

CLEAN WITH HOT-WATER EXTRACTION MACHINE.

(HOT) PROFESSIONAL CLEANING RECOMMENDED

DO NOT USE DISHWASHING OR LAUNDRY

DETERGENTS

USE ONLY UPHOLSTERY DETERGENTS

DO NOT WET FILLING

DRY IN SHADE AWAY FROM DIRECT HEAT AND
SUNLIGHT

ALLOW TO DRY THOROUGHLY BEFORE RE-USE

SPOT CLEANING:

DO NOT RUB

DO NOT SPOT CLEAN WITH ANY SOLVENT.

TREAT SPILLS AND STAINS AS SOON AS POSSIBLE.

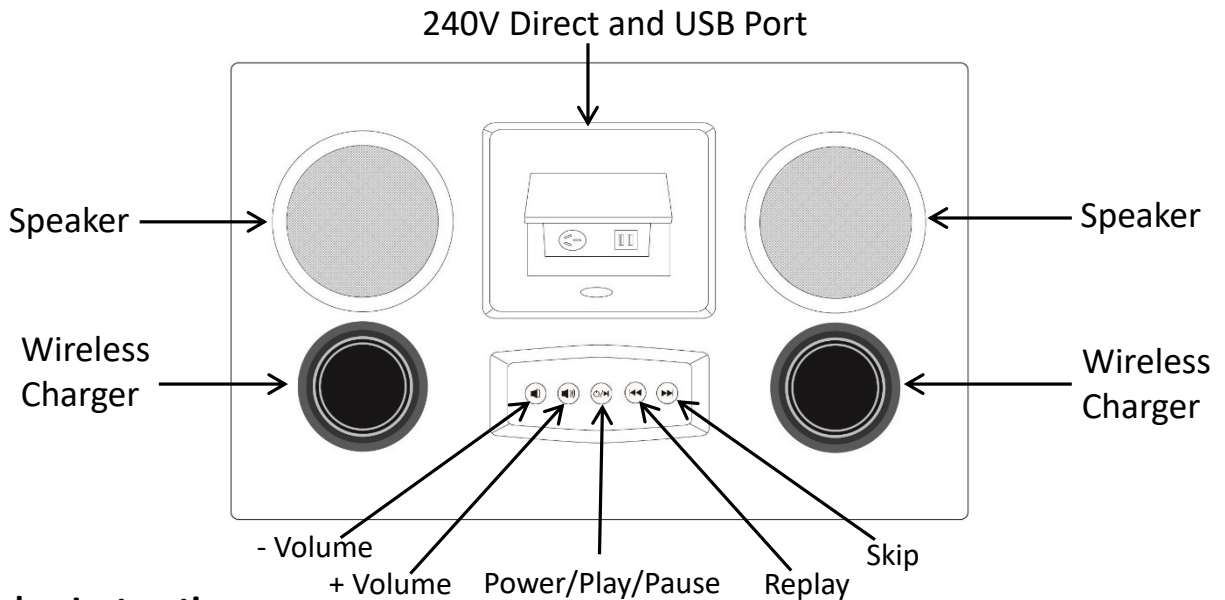
GENTLY SCRAPE ANY SOIL OR MOP ANY LIQUID
FROM THE SURFACE OF THE FABRIC.

APPLY PROPRIETARY CLEANING AGENTS STRICTLY
ACCORDING TO INSTRUCTIONS TO REMOVE THE
RESIDUE OF THE SPILL.

DO NOT SATURATE THE FABRIC OR INTERIOR WITH
WATER OR OTHER CLEANING LIQUIDS.

WARNING: APPLY ONLY WATER-BASED SOIL RESIST
(FABRIC PROTECTION) TREATMENTS. DO NOT USE
AEROSOL PRODUCTS.

Multifunctional Station Manual



Speaker Instruction:

Bluetooth

- Bluetooth Name: Klaus
- How to Connect:
 - 1) Hold down the power button for 3 seconds.
 - 2) When backlight of the button starts flashing, connect your device. Ensure your device is within range.
 - 3) Once successfully connected the backlight of power will stay lit.

Speaker Control Panel

- How to use:
 - 1) Hold the power button for 3 seconds to turn on/off.
 - 2) Press the "replay" and "skip" buttons to navigate.
 - 3) Press the "+ volume" and "- volume" buttons to control the sound.

Wireless Charge:

- How to use:
 - 1) Place the device in the center of wireless charging panel.

NOTE:

- When the phone is paired and you receive a call or text, the sound will pause.
- The speakers will only work through Bluetooth connection, not USB or Wireless connection.

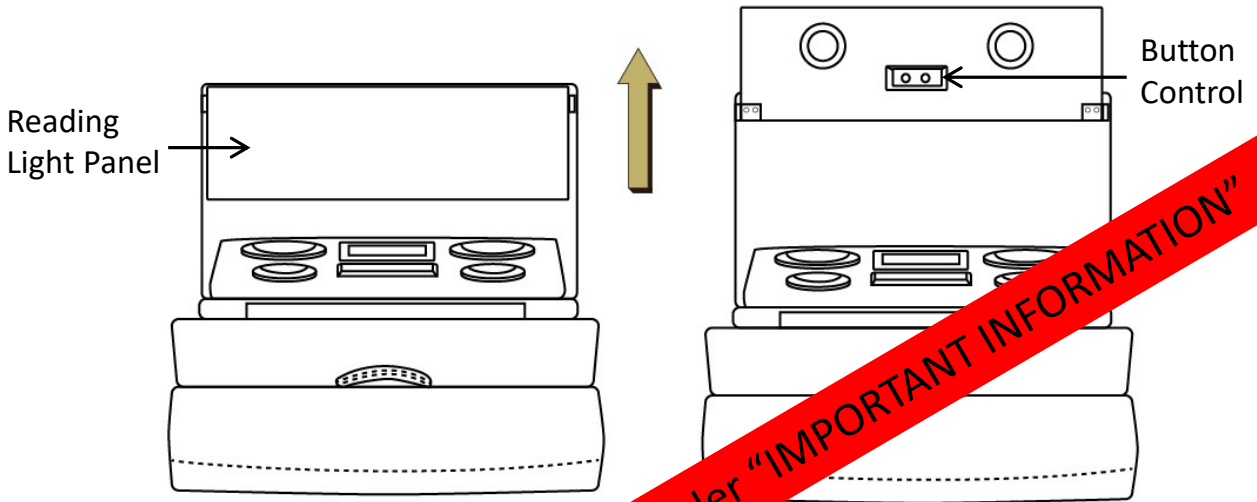
Speaker Specifications

- Reproduction system
- Tweeter..... $\phi 78\text{mm}$
- Nominal impedance..... $4\Omega - 4\Omega$
- Sensitivity..... $84 \pm 3\text{dB}$
- Frequency response..... F0-12KHz
- Nominal power..... 20W
- Maximum music power..... 24W
- Grille material..... Steel net, ABS
- Weight (per speaker including accessory parts) 640g
- Gross weight (2 speakers including packaging) 1440g

IMPORTANT INFORMATION

- DO NOT play the speakers for more than 6 hours continuously. In doing so may cause damage to your speakers.
- DO NOT forget to turn off the reading lights after use. For your safety, the reading lights will automatically turn off after 1 hour of use.

Reading Light Manual



- **How to use:**

- 1) Open the reading light panel inside drop-down console.
- 2) Press the button to control the light at the same side of button.

- **Notes:**

- 1) It is not recommended that the reading light panel be closed before both the lights are off. In doing so may cause damage to your lights.
- 2) The lights can be off automatically after one-hour.

Wireless Charger Applications

**All cell phones with wireless charging function can be charged.
The list below shows only some of the phones for your reference.**

Brand	Model Number	Brand	Model Number
Apple	iPhone 13 series	SAMSUNG	Note 20 series
	iPhone 12 series		S20 series
	iPhone SE2		S21 series
	iPhone 11 series		Galaxy Fold
	iPhone X series		SM-G9298
	iPhone 8 series		Galaxy S Lite
HUAWEI	P50 Pro 4G		Kelly(SM-W2018)
	P30 Pro		W2017(SM-W2017)
	Mate 40 series		W2016
	P40 Pro series		S10, S9, S8, S7, S6 series
	Mate 30 series		Note 10 series
	Mate 20 Pro&RS		Note 9, Note 8, Note 7
LG	Optimus series		Note FE, Note 5
	Spectrum 2	Black Berry	Evolve series
	LG Lucid series		PRIV
	V50 series		Classic SQC100 series
	V40 ThinQ		Z30 STA100
	V35 series		Q20